

### Packing List

TQ6C gas sensor transmitter	1pcs
RB62 receiver	1pcs
Rubber stopper with tube	1pcs
Ordinary rubber plug	1pcs
4.2x25mm self-tapping screws	4pcs

### Technical Parameters

#### TQ6C transmitter

Voltage	3V
Battery	AAA(LR03)×2
Battery Life	>2years
Trigger pressure	<3mbar
Maximum bearing pressure	800mbar
Response time	<0.2s
Launch frequency	2.4GHz
Transmit power	6dBm
Sensor interface diameter	3mm
Size	129×59×40 mm
Operating temperature	-30℃~60℃
Working humidity	<80%

#### RB62 receiver

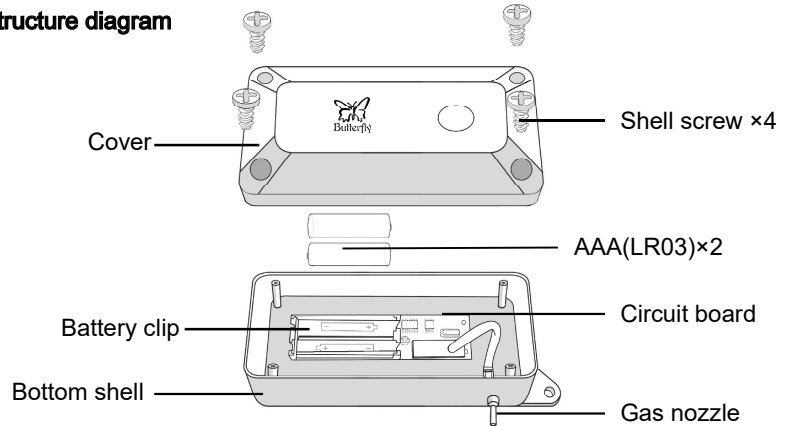
Power supply	AC 13-220V DC 18-300V
Power	1W
Output type	NO (Relay)
Load capacity	1A/AC 250V 1A/DC 300V
Connection length	500mm
Wire gauge	22AWG×4
Size	129×59×40 mm
Operating temperature	-30℃~60℃
Working humidity	<80%

#### Annex

Rubber plug diameter	18mm
Tracheal length	1000mm

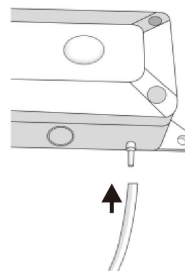
### Launcher

#### Structure diagram



#### Connect the airbag tube

Insert the bleed tube into the gas nozzle of the gas sensor.  
(As shown on the right)

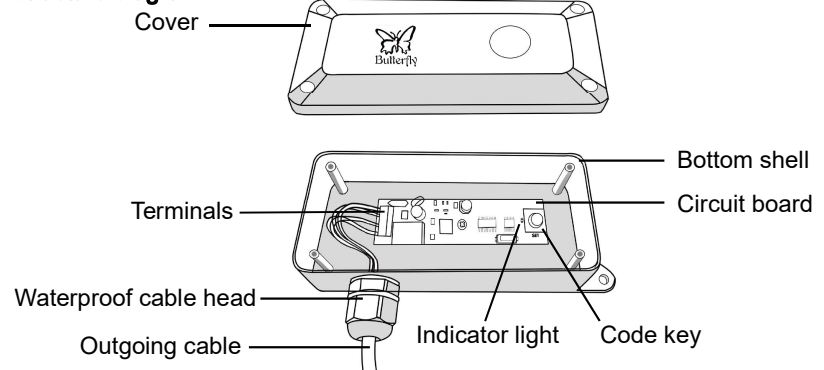


#### Indicators and status

- ▲ 1 flash: power-on indicator when installing the battery.
- ▲ Fast flashing: triggering the output signal by gas sensor.

### Receiver

#### Structure diagram



**There is a risk of live circuit boards and components, please operate with caution!**

#### Wiring

The cable has been reserved, and it can be wired according to the color.

Red	Power	24-220V
Black	Power	
White	Output	Circuit board
Yellow	Output	

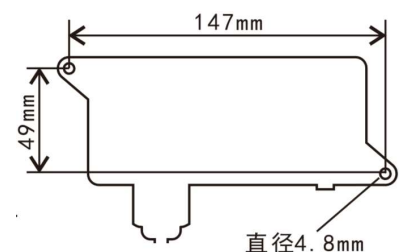
#### Code

- ① When in standby, press the "SET" indicator to flash slowly to enter the state of coding;
  - ② Trigger the transmitter to be equipped, the indicator light will become steady after flashing quickly, and the coding is completed.
- ▲ The products are coded when they leave the factory!
  - ▲ After entering the coding state, within 20 seconds of coding, the timeout will automatically exit.

#### Indicators and status

- ▲ Steady on: Power on normally and stand by.
- ▲ Fast flashing: triggering the output signal by gas sensor.
- ▲ Slow flashing: coding status. (Exit in 20 seconds)

#### Mounting hole size



### Precautions



- ▲ It is recommended that the receiver be installed separately, never in a metal box.
- ▲ To ensure its reliability, the maximum straight-line distance between the transmitter and receiver after installation is not greater than 15 meters.
- ▲ The reliability of wireless transmission may be reduced due to electromagnetic interference, so try to avoid using it as the only protective device.
- ▲ In order to ensure that the switch is in the best working state, it is recommended to do functional tests frequently.
- ▲ Normally, the secondary battery should be replaced every two years. The batteries are two 1.5V AAA(LR03) alkaline batteries. Do not use carbon batteries to avoid leakage damage to the switch.