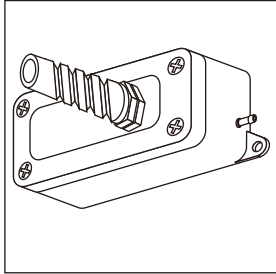


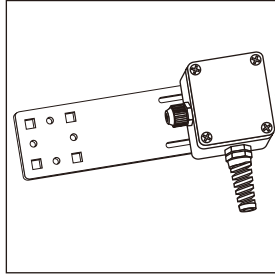
BF5 Industrial automatic door gas sensing Manual

Please read this manual carefully,
and installed according to the requirements of specification of!

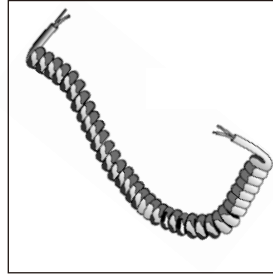
Accessories



Switch box



Terminal block



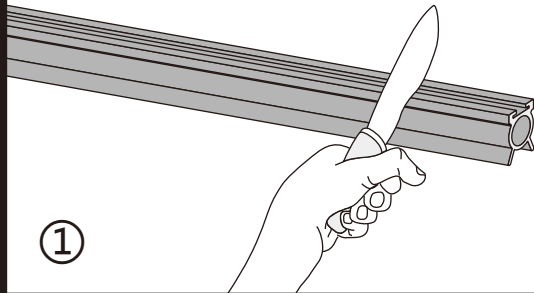
Extension cable



sealing plug

Installation steps

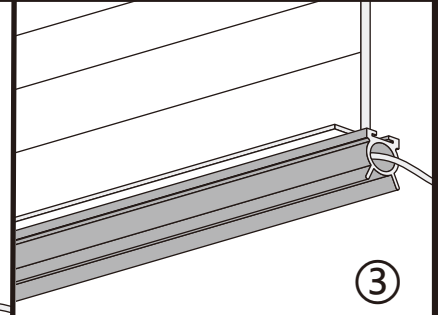
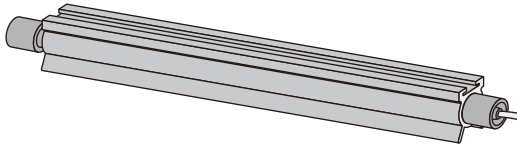
In accordance with the door wide truncation sensing hose.



①

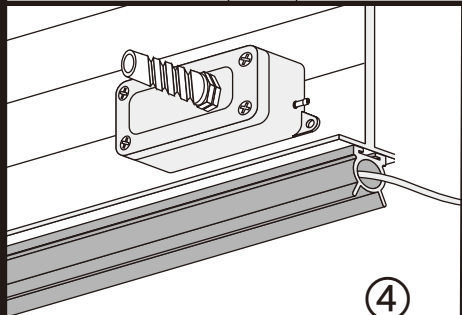
②

The sealing plug plug respectively the two ends of the hose.



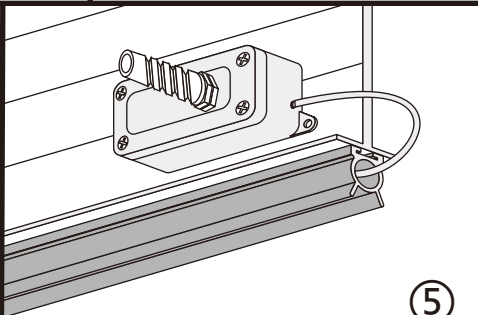
③

Will have good hose is installed to the door.



④

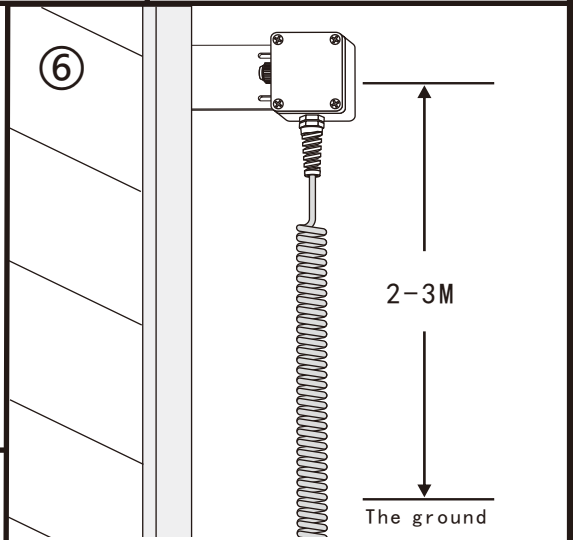
Install the door switch box, generally content with the lower right corner of the door.



⑤

Put the airway control box of gas mouth, cut it off and spare parts.

⑥



2-3M

The ground

⑦

Connection to the door machine sensitive device port.

Note: port connection method, please refer to the door machine manual.

Install the connection box to the position of the door frame 2-3 meters from ground.

Technical parameters

Contact current:	250mA
Contact type:	NO (BF5-NO)
	NC (BF5-NC)
Trigger pressure:	≤5mbar
Cable:	6M

Adjust the sensitivity

Note: the switch has been preset before delivery good sensitivity, generally do not need to adjust!

T30 screwdriver adjustment switch knob.

BF2-NO: Is clockwise rotate knob to reduce the sensitivity, vice improve sensitivity.

BF2-N: Is clockwise rotate knob to improve sensitivity, whereas lower sensitivity.