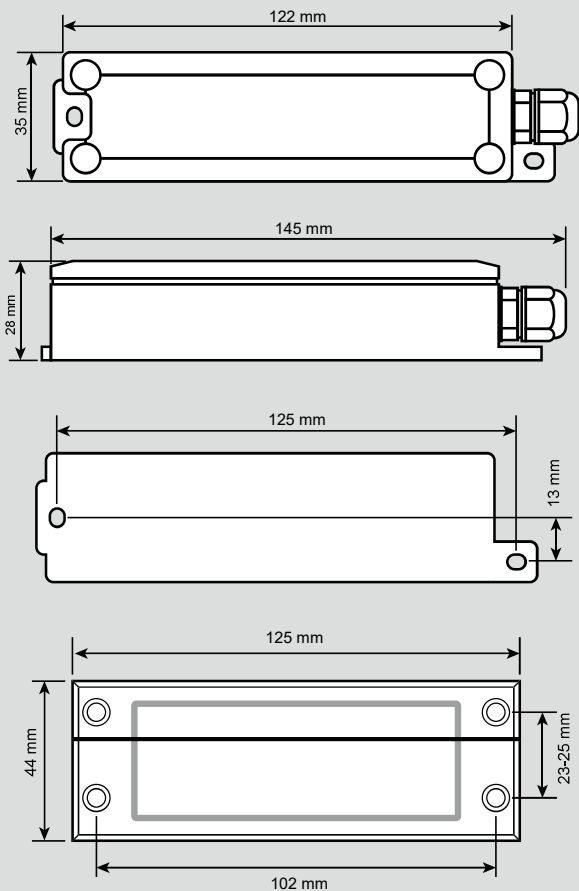


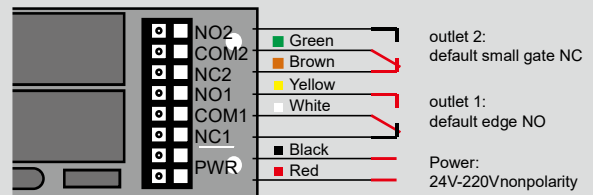
2.4G Wireless Airwave Switches

JM-223

Outline dimension



Wiring



Instructions state

D7 always bright	Power Indication.
When energized, D7 is always bright, D6 and D5 flash twice	Start into advanced mode of operation.
D6 or D5 weak light always bright	Output 1 or Output 2 uncoded.
D6 or D5 always bright	Output 1 or Output 2 Relay Action.
D6 or D5 Slow Flash	Output 1 or Output 2 enters the code matching state, flashes for 20 seconds and exits to the standby state without operation.
D6 or D5 flashes once every 1 second	Output 1 or Output 2 transmitter power is insufficient, relay action, need to replace the transmitter battery. (only valid for advanced mode).
D6 or D5 flashes twice every 1 second	Output 1 or Output 2 transmitter is faulty. In normal mode, the relay does not operate. In advanced mode, the relay operates.

Mode conversion

The switch has two working modes: normal mode and advanced mode. The default setting is normal mode when leaving the factory, and the user can change the setting by himself.

Normal mode:

only has basic output protection function

Press the setting key "S1" to turn on the power, and the indicator lights D5 and D6 flash for about 5 seconds to turn off and turn on to normal mode. After any code matching operation, the switch will automatically return to the normal mode.

After arbitrary code operation, the switch automatically returns to normal mode.

Advanced mode:

In addition to the basic mode function, the transmitter power loss, fault indication and protection functions are added.

Press the setting key "S1" to turn on the power, The indicator lights D5 and D6 flash for about 5 seconds and then turn on to the advanced mode.

When power-on starts in this mode, the D5 and D6 indicators blink twice at the same time.

Specifications parameters

Operating temperature:	-20°C ~ 60°C
Protect level:	IP56, Normal IP67, To be customized
Overall dimensions:	122×35×28
Maximum size:	145×35×28
Installation aperture:	4mm

Parts details

Rubber plug:	2pcs
Installation screws:	4.2×25 4pcs 4.2×38 4pcs
Retention retaining circlip:	1pcs

Receiver parameters

Supply voltage:	AC 24V ~ 220V DC 24V ~ 220V
Standby power consumption:	1W
Output Type:	NO (default) NC
Load capacity:	1A @250V
Sensitivity:	-96dBm
Action time:	50ms
Lead length:	500mm
Cable type:	24AWG

Parameters of Edge

Transmit frequency:	2.4GHz
Transmit power:	6dBm
Reaction time:	20ms
Working pressure:	3mbar
Limit pressure:	500mbar
Battery specification:	1.5V AAA × 2
Battery life:	2 years
Length of lead pipe:	500mm
Pipe diameter:	4mm

Parameters of small gate transmitter

Transmit frequency:	2.4GHz
Transmit power:	6dBm
Reaction time:	20ms
Test type:	magnetic test
Induction distance:	≥5mm
Battery specification:	1.5V AAA × 2
Battery life:	2 years
Overall dimensions:	125×44×18

Code matching and code deletion

Code matching:

press the setting key "S1" briefly, D6 or D5 indicator light flashes slowly, output 1 or output 2 enters the code matching state, press "S1" briefly again, and switch output 1 and output 2;

Trigger the transmitter to be equipped, change the corresponding indicator light to complete the matching.

In this state, the operation needs to be completed within 20 seconds, and the code matching will be automatically exited after the timeout.

Code deletion:

Press the setting key "S1" for about 10 seconds, the D6 or D5 indicator lights flash at the same time, and the release key deletion is completed.

After deleting the code, the D6 or D5 indicator light is weak and always on.



When the switch leaves the factory, it has completed the code matching, output 1 and 2 were gas distribution and senses small doors. Users generally do not need to re-match the code.

There is no need to delete the code before re-matching the code. After matching the code, the original code is automatically deleted.

After recoding, the switch automatically enters the normal mode.